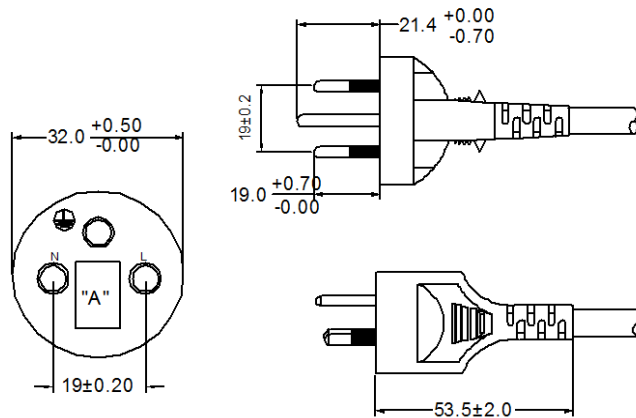




## PLUG WP-208



### STANDARD

TIS 166-2549	
Safety Mark	WP208-xx THAI WINDERFUL
Logo of safety mark	
Rate Current & Voltage Mark	6A 250V , 10A 250V , 16A 250V
Attached wire cord	H03VV-F 3G 0.75SQMM , 1.00SQMM , 1.50SQMM H05VV-F 3G 0.75SQMM , 1.00SQMM , 1.50SQMM

### ELECTRICAL CHARACTERISTICS

<b>Resistance to Heat</b> 100±2°C , 1 HR	N/A
<b>Compression Test</b> 80±2°C , 1 HR , 20N (2Kgs)	N/A
<b>Insulation Resistance</b> 100 MEFA Ohm / 500V DC, 1 Min	N/A
<b>Guraatee of suing Temperature and humidity</b> 0-35°C , 45-85% RH (48 HR.)	N/A
<b>BALL PRESSURE TEST</b> 125±2°C , 1 HR , 20N (2Kgs) < 2mm.	N/A.

### PHYSICAL CHARACTERISTICS

Nominal Cable Diameter (mm)	4.38
Cable Cold Bend	-20±1°C x 4 Hrs
Minimum Bend Radius	15 times O.D.
Temperature Rating (°C)	20°C to 75°C
Temperature Voltage (V)	300

Packing : CARTON